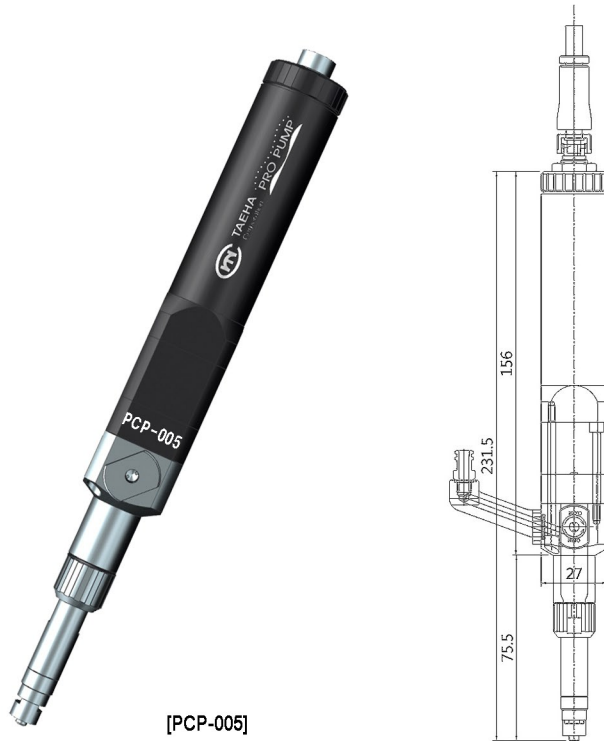


PCP-005 외형 및 사양



[PCP-005]

ITEM	PCP-005
Dimensions(mm)	□27 x L232xØ27
Weight (g)	360g
Input Pressure	0~6 kgf/cm ²
Max. Dosing Pressure	20 kgf/cm ²
Viscosity (cps)	0~500,000 cps
Dosing Volume/Rev.	≒ 0.005ml
Motor Speed(rpm)	1~120 rpm
Dosing Flow Rate (Max.)	≒ 0.6ml/min
Accuracy of dosing	±1 %
Stator Material	Inert Elastomer
Material Inlet Port	G1/8"(STD)
Material Outlet Port	Luer Lock
Wetting Part Material	SUS / UHMW-PE / FKM
Operating Condition	10~40°C

전용 컨트롤러 외관도 및 사양

ITEM	PROCON-100
Dimensions(mm)	230(W)x90(H)x200(D)
Weight (kg)	1.8kg
Power In/Output	AC220V,50/60Hz, DC24V(max.)
Consumption Rating	200VA
Air-in Port	Ø6 Air Hose, Max.7kgf/cm ²
Air-out Port	Auto Jointer
Pressure Regulator	0~7kgf/cm ²
Operating Mode	Time / Steady / Metering
Display	2.5" TFT LCD, Touch
Motor Control	1 EA
Liquid Indicator Sensor	OK
External Control	OK
Channel Memory	16 CH
Interface	RS232, D-SUB 9 PIN
Input Signal	Contact Input or NPN open Collector Tr
Dosing End Signal	NPN open collector Tr
Operating Temperature	10~40°C



[전면]



[후면]

